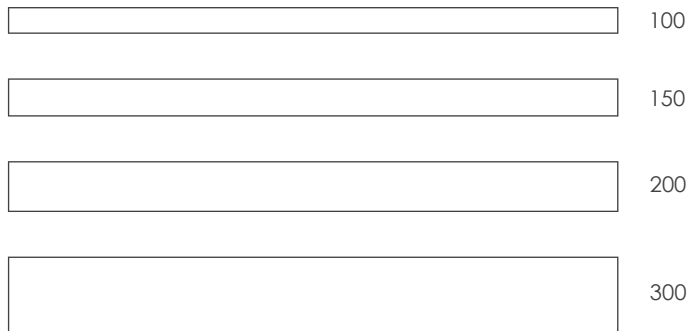
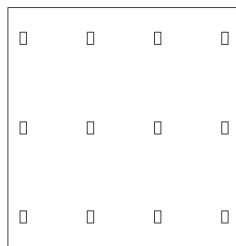


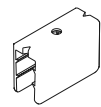
Fins



Stencil

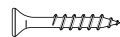


Fin-Lock™

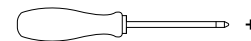


Screws

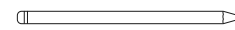
8g GIB Screws



Not Included



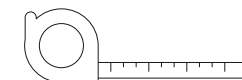
Phillips



Pencil



Masking Tape



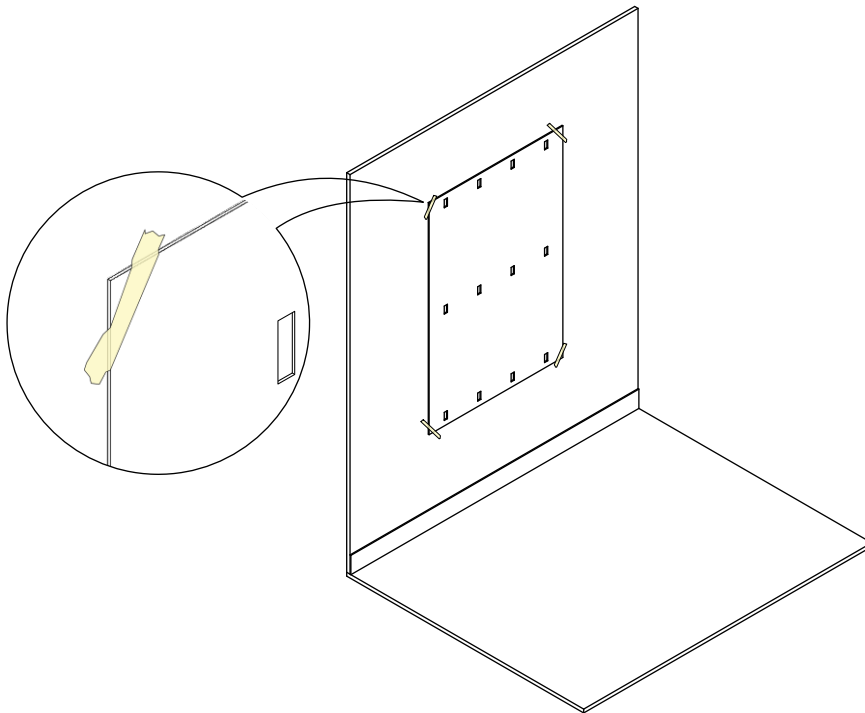
Measuring tape



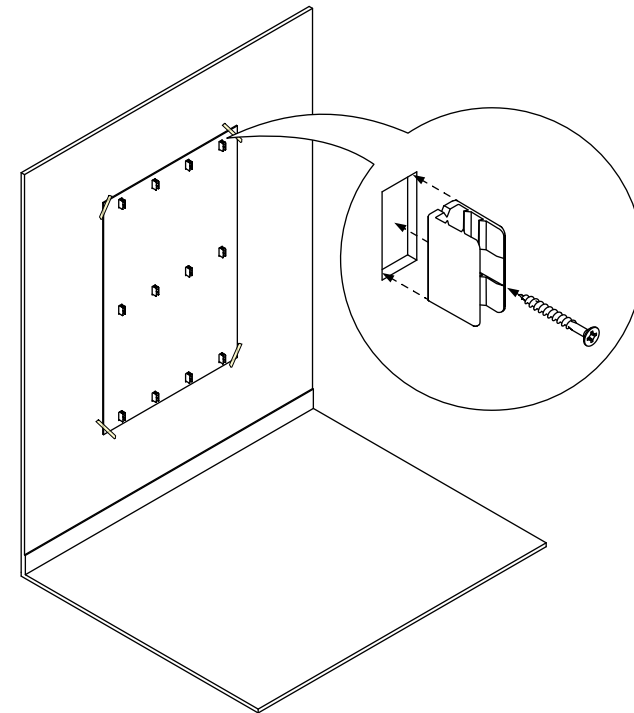
1 x person
assembly



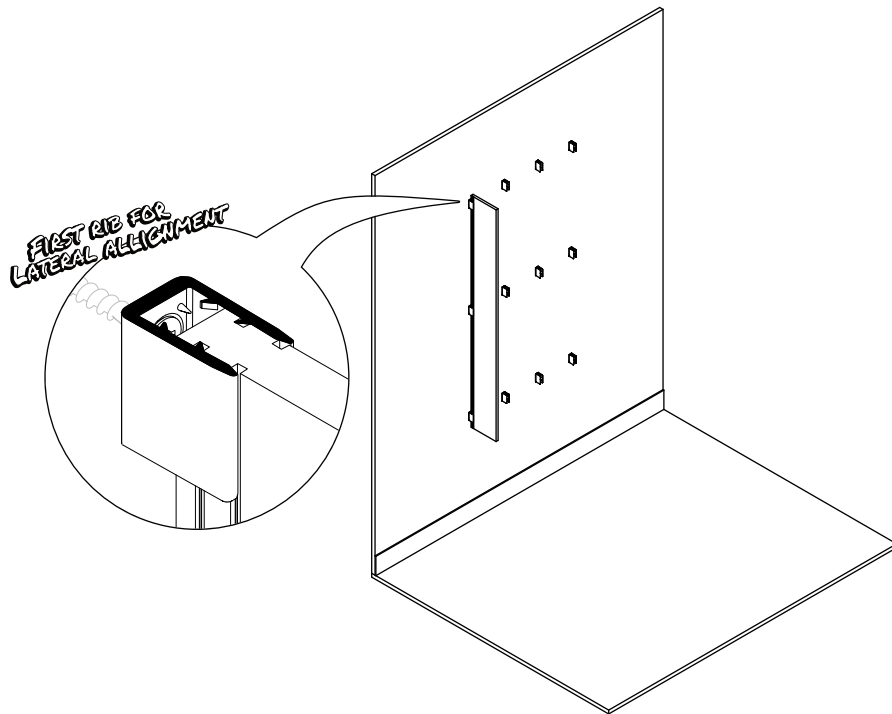
Ladder may be
required depending
on height of install



1
Align stencil to surface of install, attach to wall using a stapler, masking tape or pins. Take care that the stencil is flat, it is critical to have precise location of Fin-Lock™ brackets.



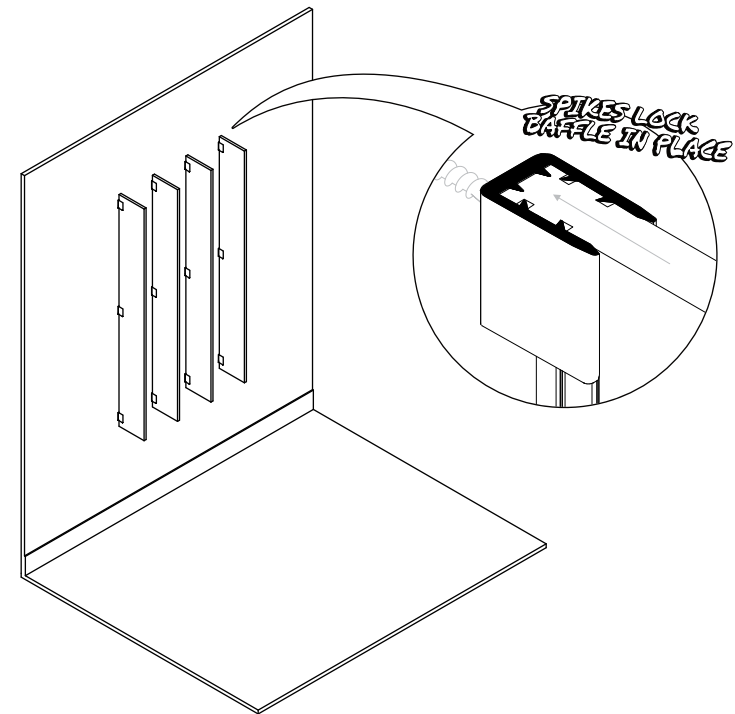
2
Insert Fin-Lock bracket to each cut out in stencil and screw-fix, being careful not to over-tighten screws (align Fin-Locks™ with direction of fin).



3

Align the first Acoustic Fin to first row of Fin-Locks™, making sure it is centred, with equal distance between the end of Fin and the Fin-Lock™ at each end.

Push Fin into the first rib of the Fin-Lock™ bracket. This supports the weight of the Fin and allows for precise lateral alignment.



4

Once the Fin baffle is in the correct position, push firmly once more to lock it into the 2nd rib of all Fin-Locks™, setting the Fin fully into the Fin-Lock™ bracket. Repeat for all Fin baffles.