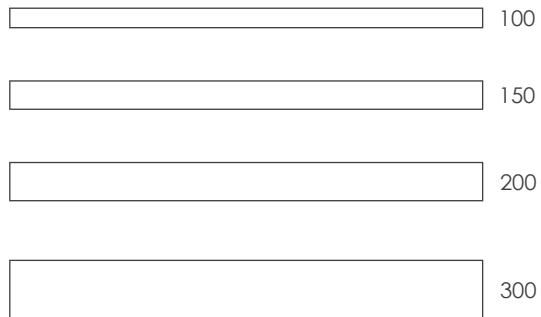
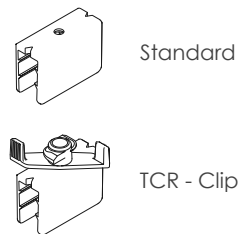


Fins

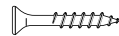


Fin-Lock™

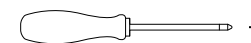


Screws

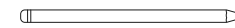
8g GIB Screws



Not Included



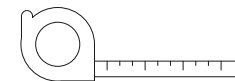
Phillips



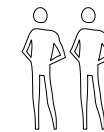
Pencil



Line laser



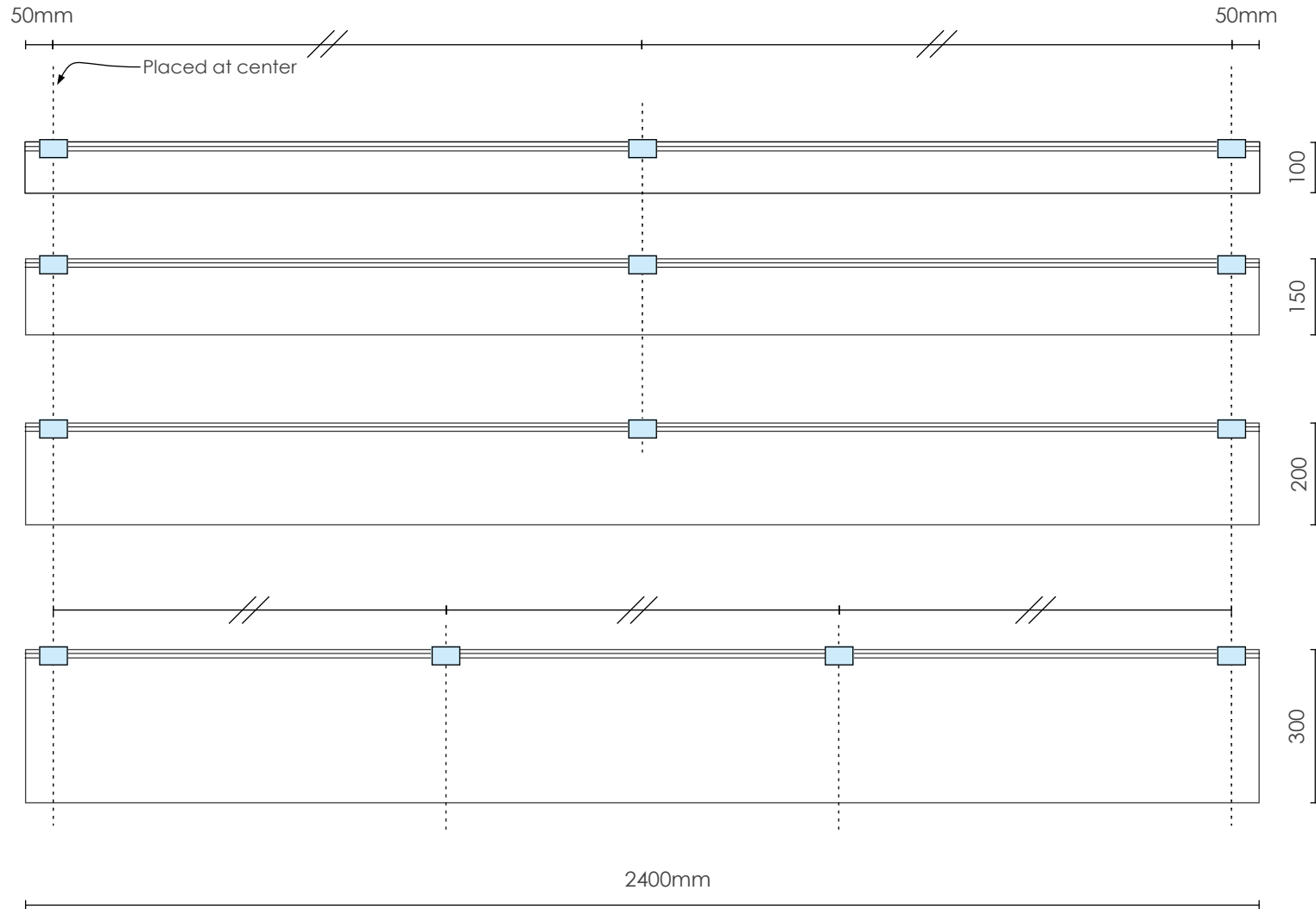
Measuring tape



2 x person
assembly



2 x ladder
recommended



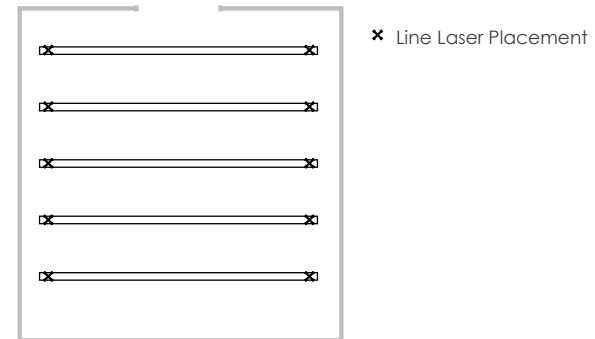
Finlock placement

100mm-200mm	3 x Fin-Locks™
200mm	4 x Fin-Locks™

Inner placement of Fin-locks distributed evenly



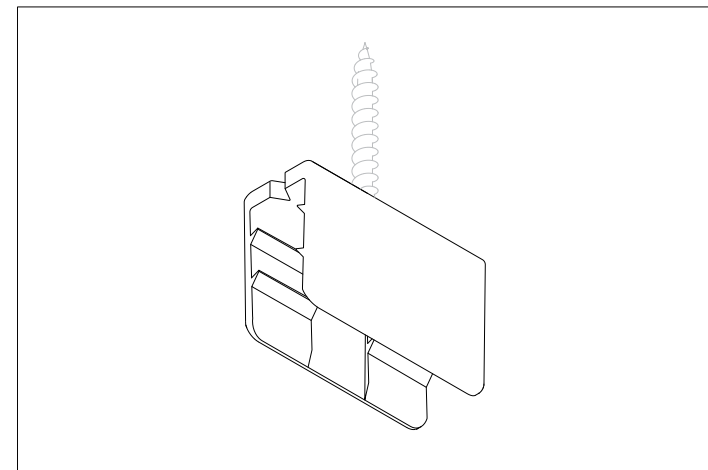
1
Measuring centre to centre, mark the desired placement of Fin baffles on floor.



2
Place Line laser at one end of where Fin-Lock clip would be (See Page 2 for dimensions), projecting laser onto ceiling.

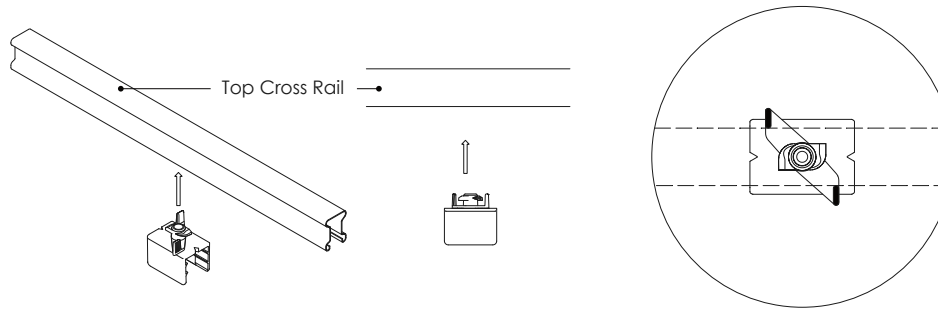


3
Mark mounting spots on ceiling, take care to insure they are in a straight line.

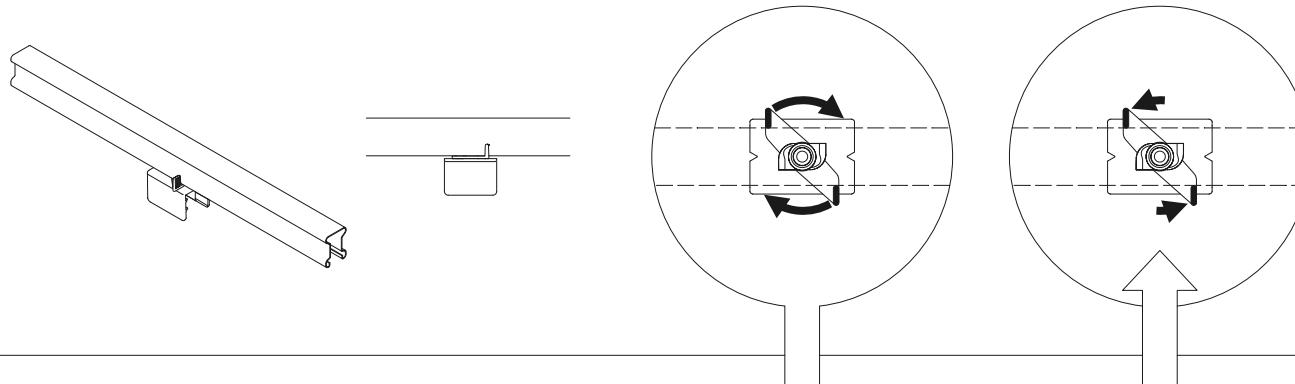


4
Using appropriate anchor, screw all Fin-lock mounting brackets to ceiling at designated spots. Use the notches on the Fin-Lock to align with laser, take care not to over tighten.

1
Align TCR Clip™ with attached
Fin-Lock™ at desired location.
Insert into Furring Channel

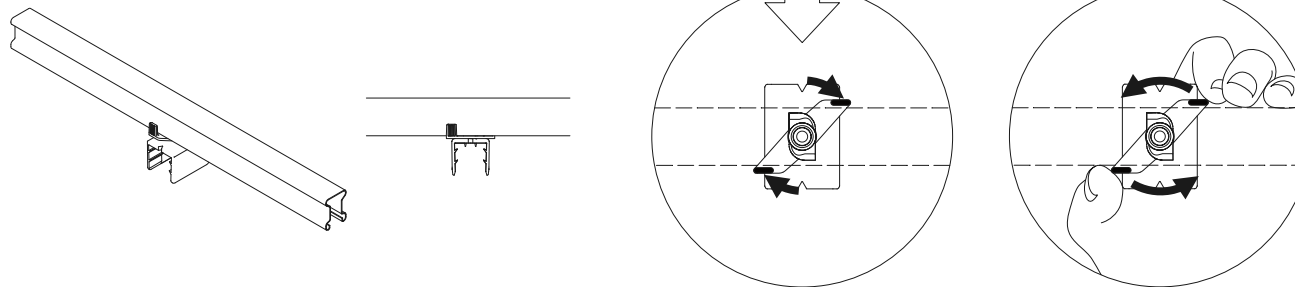


2
Adjust location laterally

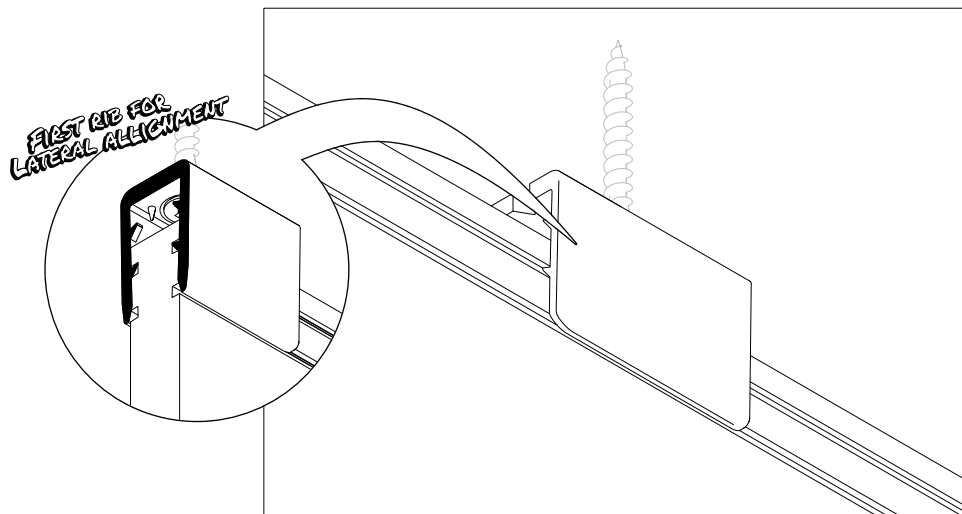


3
Rotate until tabs hit the furring
channel, and is firmly secured.

Fin-Lock™ can be rotated for
correct alignment.



4
To remove or adjust Fin-Lock™
placement, place fingers on
edge of tabs and rotate
opposite way, releasing the
TCR Clip



1 Insert acoustic fin into Fin-Lock mounting bracket engaging first rib, the acoustic fin will be held securely and will allow for lateral alignment.



2 Once in the correct position, press Fin up to engage the second rib and Fin will be securely locked in place via inner spikes.