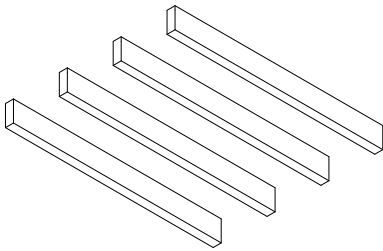


**Baffles**



**Joiner**



**Gap Detail piece**



**FinLock™**



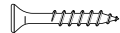
Standard



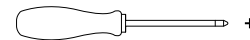
TCR - Clip

**Screws**

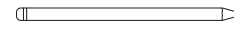
8g GIB Screws



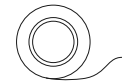
**Not Included**



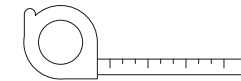
Phillips



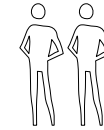
Pencil



Masking Tape



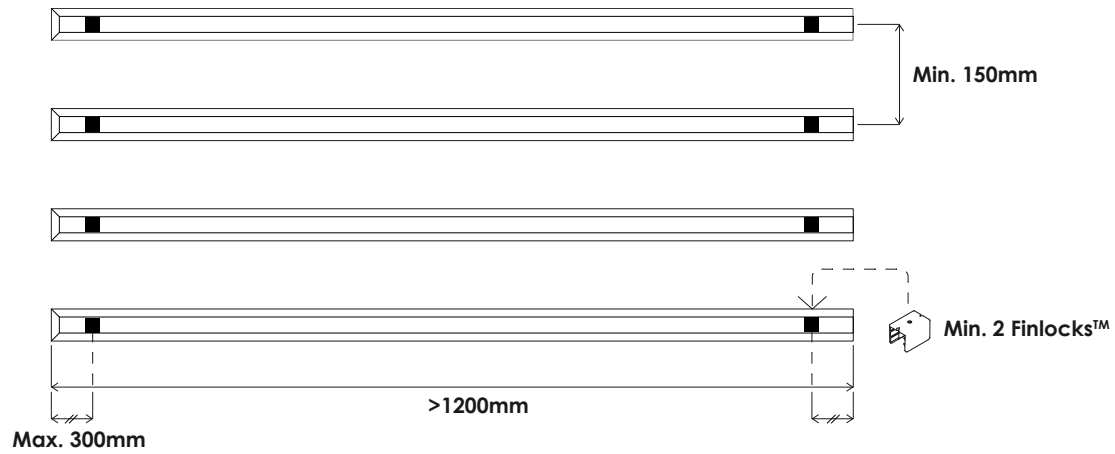
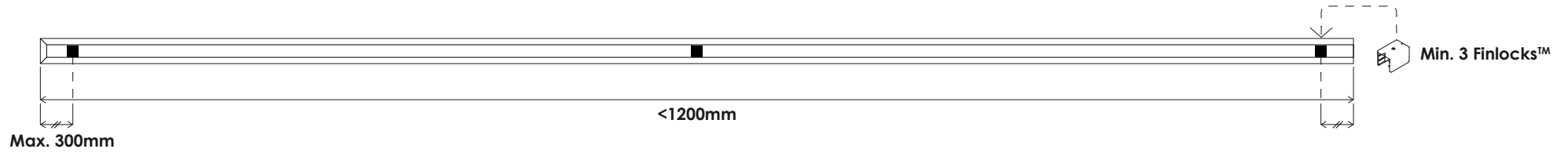
Measuring tape

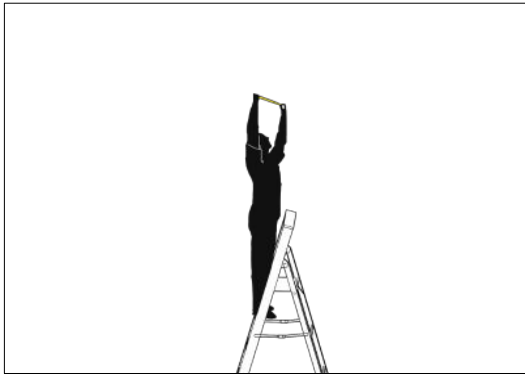


2 x person  
assembly

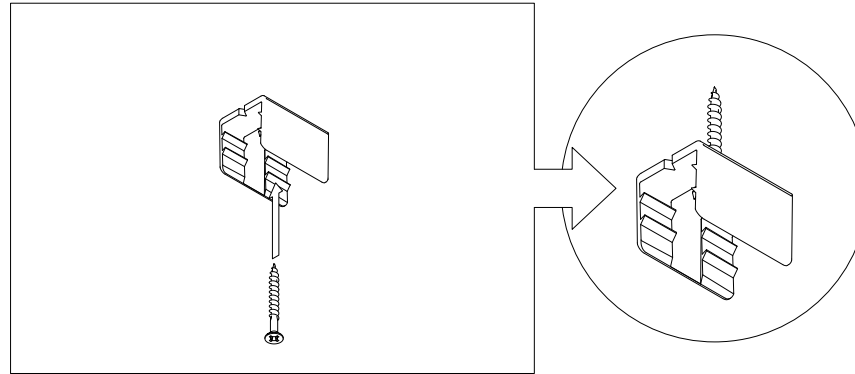


2 x ladder  
recommended



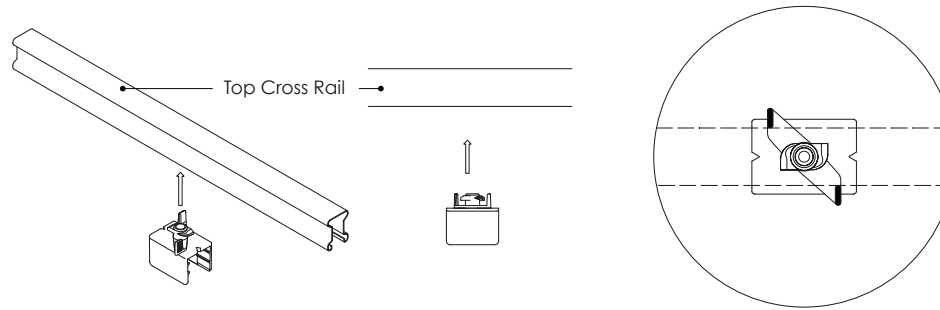
**1**

Mark mounting spots on ceiling, take care to insure they are in a straight line.

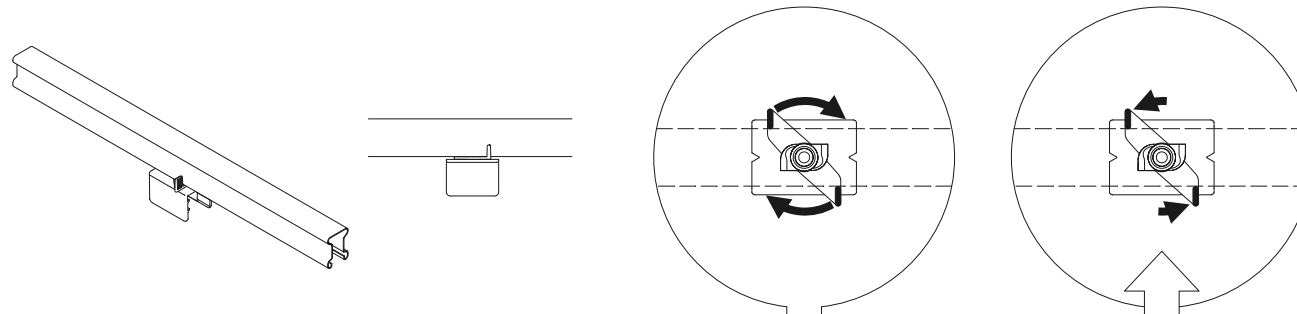
**2**

Using appropriate anchor, screw all Fin-lock™ mounting brackets to ceiling at designated spots. Take care not to over tighten.

**1**  
Align TCR Clip™ with attached  
Fin-Lock™ at desired location.  
Insert into Furring Channel

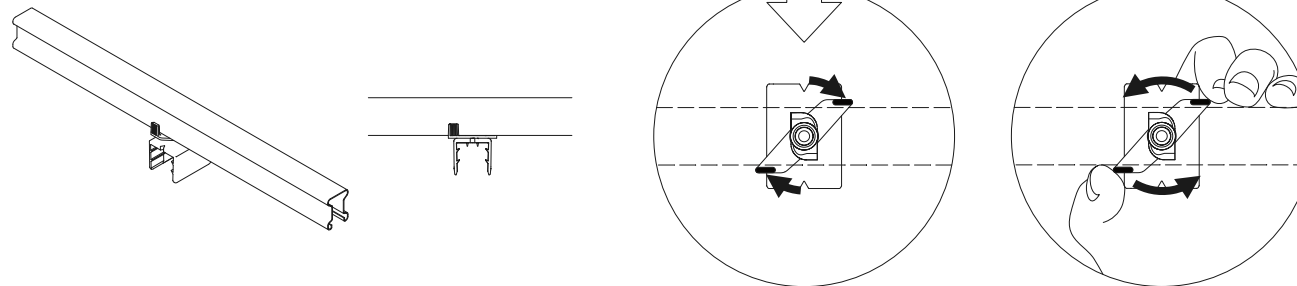


**2**  
Adjust location laterally

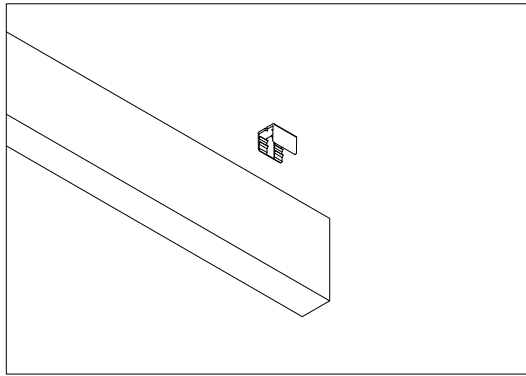


**3**  
Rotate until tabs hit the furring  
channel, and is firmly secured.

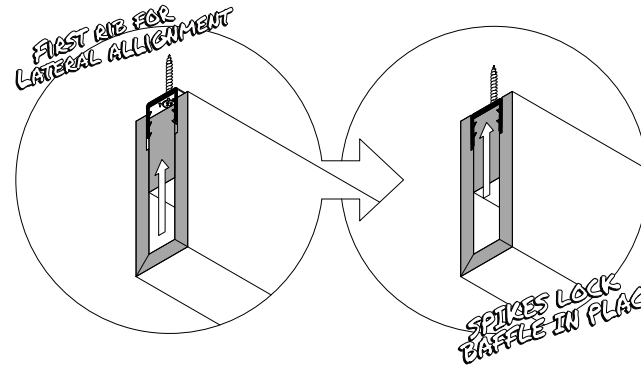
Fin-Lock™ can be rotated for  
correct alignment.



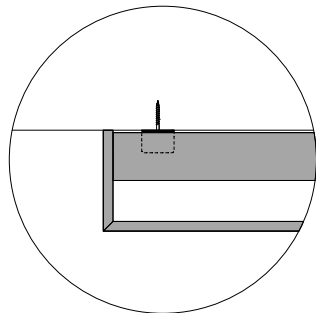
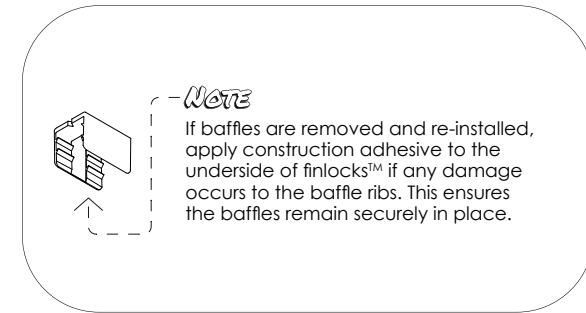
**4**  
To remove or adjust Fin-Lock™  
placement, place fingers on  
edge of tabs and rotate  
opposite way, releasing the  
TCR Clip



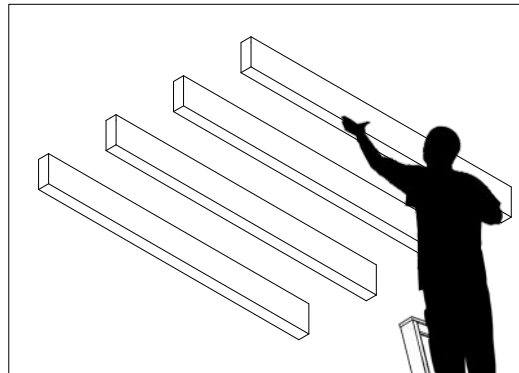
**1**  
Align Baffle with mounted Fin-Locks™



**2**  
Insert Baffle into Fin-Locks™, engaging with the first rib, the Baffle will be held securely while allowing lateral alignment. Once in the correct position, press baffle up to engage the second rib. Baffle will be securely locked in place via inner spikes

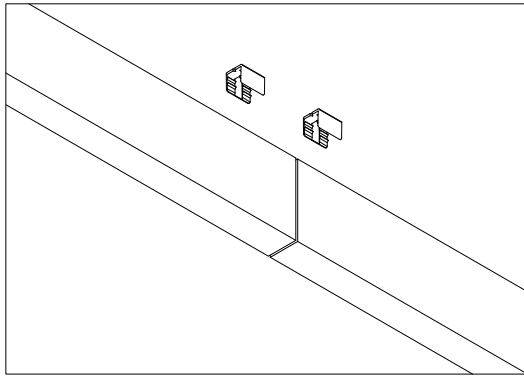


**3**  
Ensure Baffle is flush with the ceiling



**4**  
Repeat for desired array of Baffles

### 6mm Gap



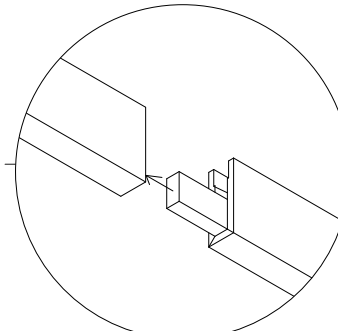
**1**  
Holding both ends securely, align with mounted Fin-Locks™.

*Note: We recommend two people for installation*

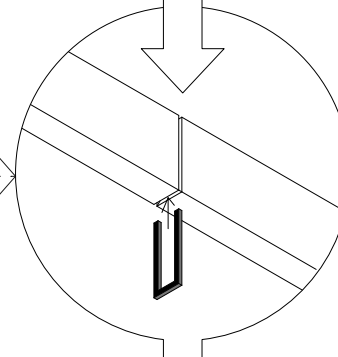


**2**  
Following **Step 2-3 as seen on Page 5**, once a 6mm gap is achieved, ensure correct Fin-Lock™ alignment and engagement.  
Repeat for desired array of Baffles

### Optional detail piece



Push Joiner into one end of the Baffle as far as possible and push baffles together



Slot in gap detail piece.

