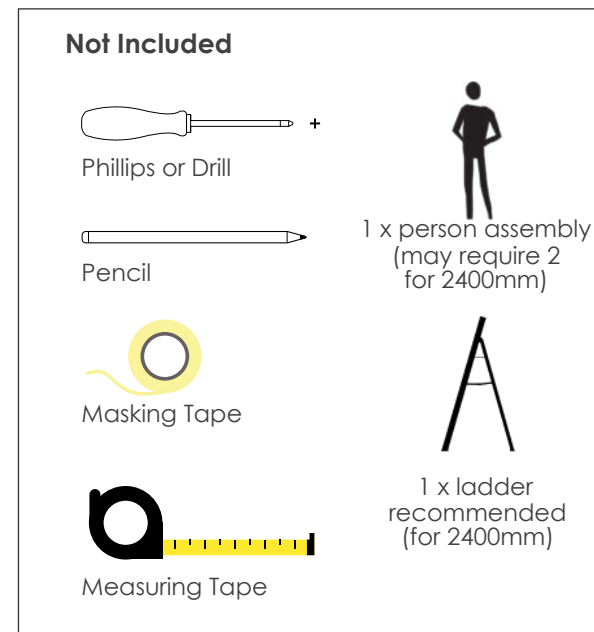
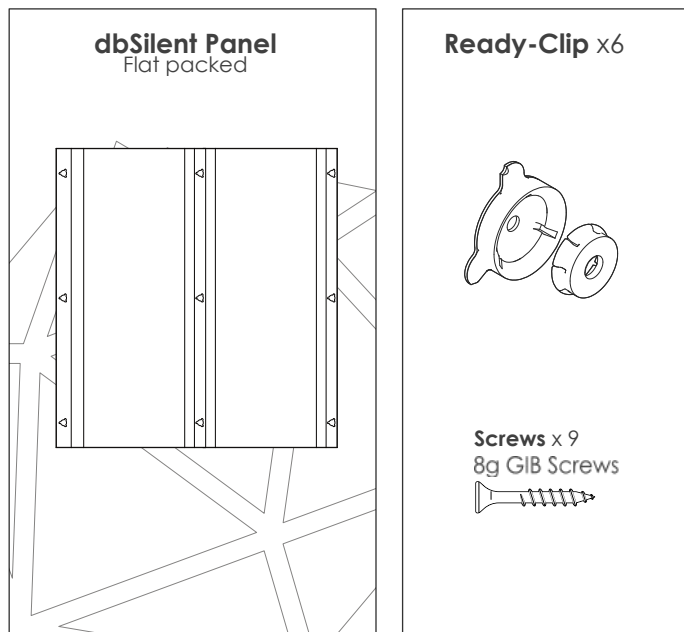
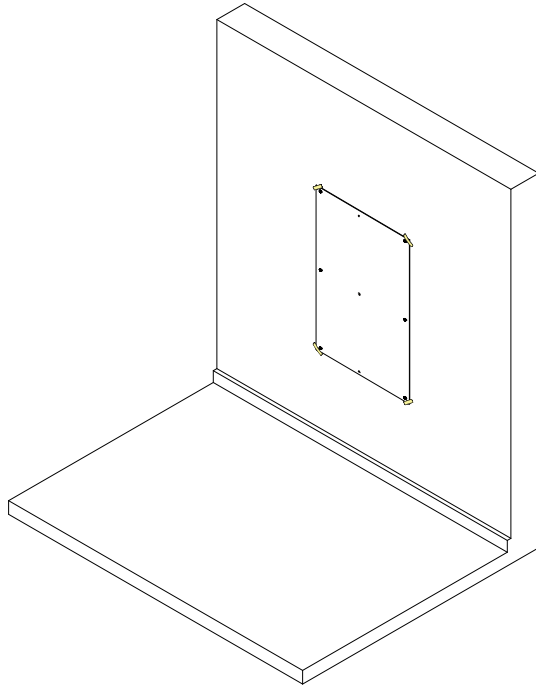


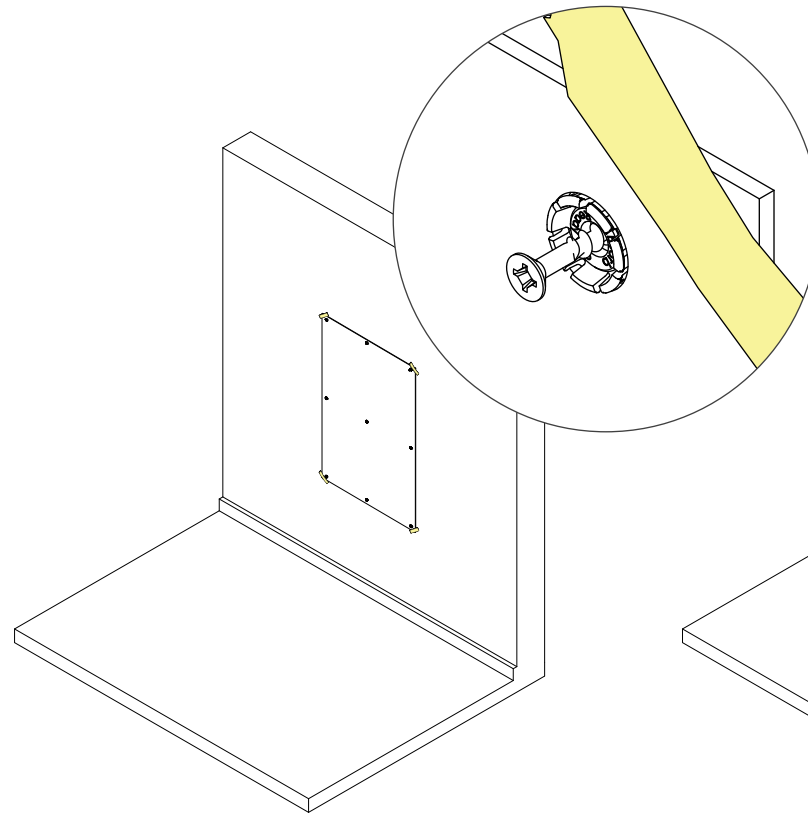
PACK INCLUDES



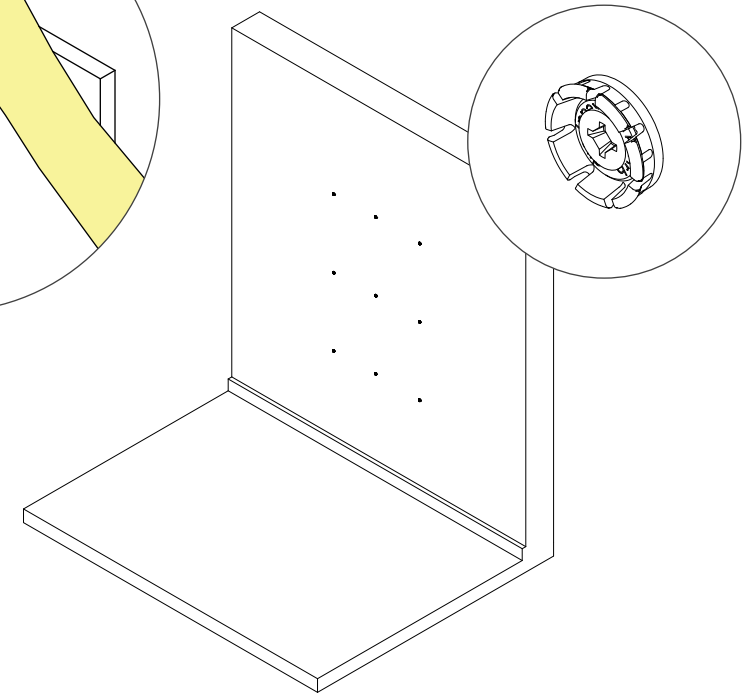
CHECK OUT
OUR INSTALLATION VIDEO
ON INSTAGRAM!



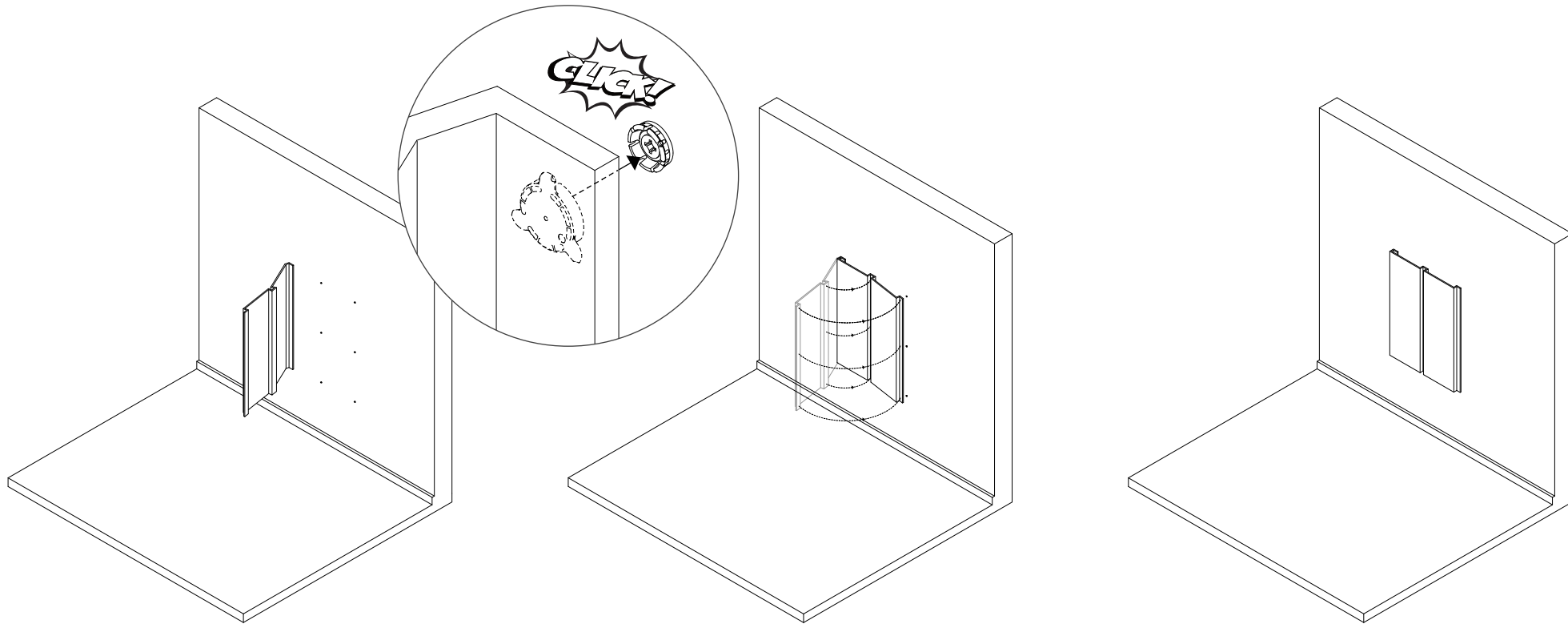
1 Attach stencil to wall using tape or staples etc.



2 With stencil taped to the wall, screw a male Ready clip into each hole.



3 Remove stencil. Repeat step 1-3 for the number of modules you are installing, moving from left to right, repeating at the stencil's edge



- 4** Align dbSilent Panel with the first row of clips (may require 2 people)

Starting at the top, clip the first ready-clips together and work your way down

- 5** Repeat same process as step 4 on the second and third row using a firm hand on the front of the panel to clip the ready-clips in place.

- 6** Finished double module.

Repeat process for every separate module, making sure the next panel sits flush with the previous.