



The International Private Dining Room - Auckland

## Product Overview

The dbFin™ Range of high-performance acoustic baffles are designed to effectively control reverberated noise in busy and open spaces. Choose from our range of baffle designs or work with us to create your own unique look.

dbFin™ coupled with our new Fin-lock™ mounting bracket has been engineered for easy and secure installation, without aluminium extrusion, while still allowing for re-positioning.

dbFin™ is available in a range of colour, thickness and panel finish. We work alongside you to tailor solution fit for your space, your vision, and your budget.

## Applications

Ceiling & Wall:  
Office Interiors, Showrooms, Hospitality, Education and Residential.

## Benefits

Precision installation  
Secure fixings  
Install to suspended ceiling systems or direct fix to ceiling or wall.

Exceptional acoustic performance.

Easy installation and removal  
Less time, less mess on site.

Glue-free

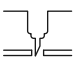
100% recyclable.  
Made from panel with up to 60% recycled content.

Ideal for installing in occupied spaces or in rooms with limited ventilation.

Low cost of make good at end of tenancy.

Reduced noise and echo in building interiors

## Customisation

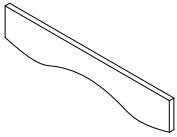
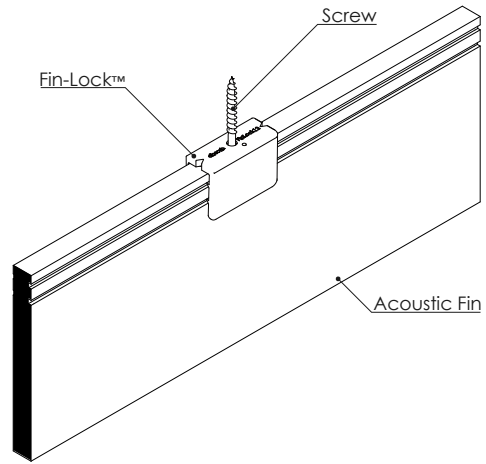
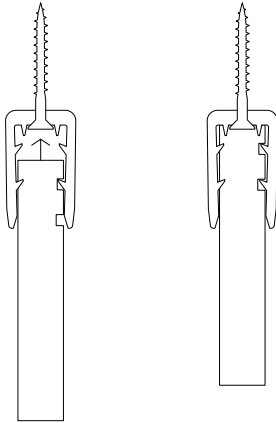
 CNC cut

 V-Groove

 Custom prints

 NRC 0.85

 Fin-Lock™



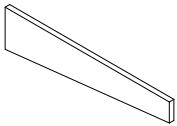
## Wavy Baffle

Standard Length:  
2400mm  
Thickness:  
12mm, 24mm  
Options for custom wave design

NRC 0.85

Fin-Lock™ (Patent Pending)  
Glue Free mounting system

No loose fibres



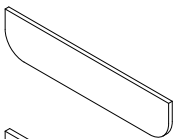
## Tapered Baffle

Standard Taper:  
350mm Taper down to 200mm  
Standard Length:  
2400mm  
Thickness:  
12mm, 24mm  
Options for custom Taper from 50mm to 600mm

Composition:  
100% PET (up to 60% recycled content)

Fire rating  
12mm: EN 13501-1:2018: B - s1, d0  
24mm: EN 13501-1:2018: B - s2, d0

Manufactured in NZ  
Non-Toxic, Non irritant  
Glue Free, Low VOC



## Flat Baffle

Standard Height:  
150mm, 200mm, 300mm, 400mm  
Standard Length:  
2400mm  
Thickness:  
12mm, 24mm  
Options for custom sizing / radius

Antibacterial

Environmental:  
Global Recycled Standard (GRS) 4.0  
OEKO-TEX® Confidence In Textiles –  
STANDARD 100. Tested for harmful  
substances. Annex 6" Low VOC



**DBSORB Ltd**

Acoustic Systems  
www.dbsorb.co.nz

Copyright © 2022 DBSORB Ltd  
All Rights Reserved

Phone: (+64) 09 553 6775

Email: sales@dbsorb.co.nz

Address: 63S Hugo Johnston Drive, Penrose  
Auckland 1061