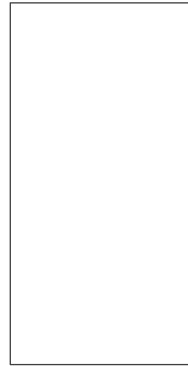


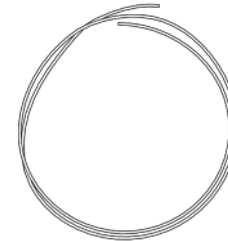
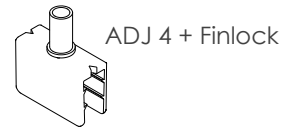
Hanging Screen™ INSTALLATION GUIDE

HANGING SCREEN



STANDARD SIZE*
2400 x 1200

SUSPENDED FIX



WIRE
1200 mm standard

NOT INCLUDED

+



Phillips



Pencil



Measuring
tape



2 x person
assembly
recommended



2 x ladder
recommended

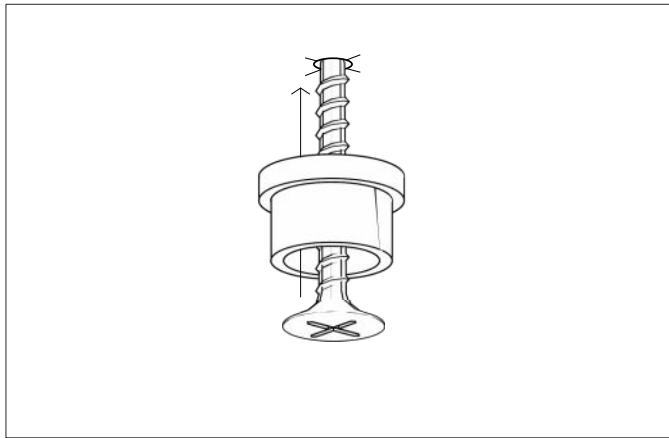
Hanging Screen™ INSTALLATION GUIDE

1



Use measurements on Fig 1, mark fitment spots on ceiling at desired spot.

2



Insert supplied screws* into adj 1 and screw into ceiling at marked spots on ceiling.

*Use appropriate anchor depending on ceiling type.

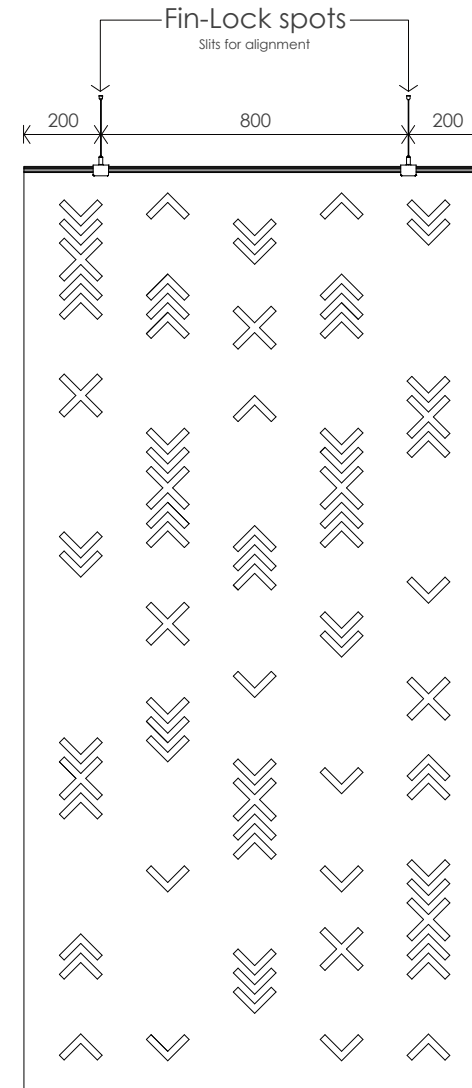
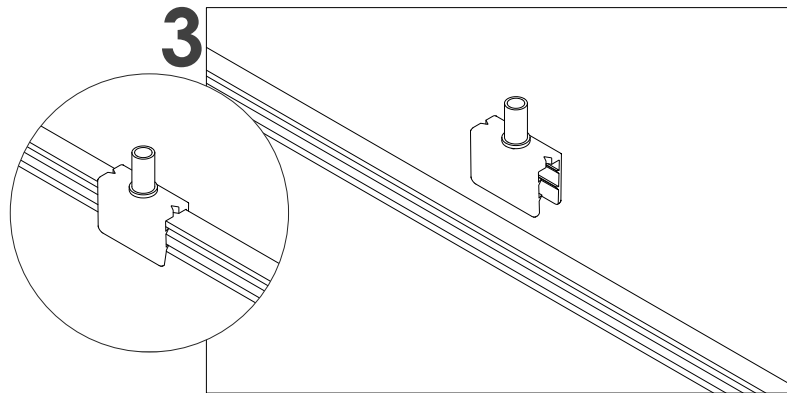


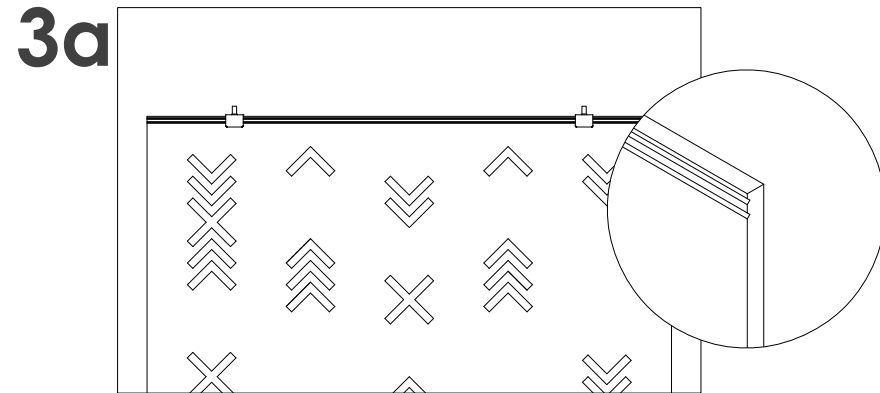
Fig. 1

2400 x 1200

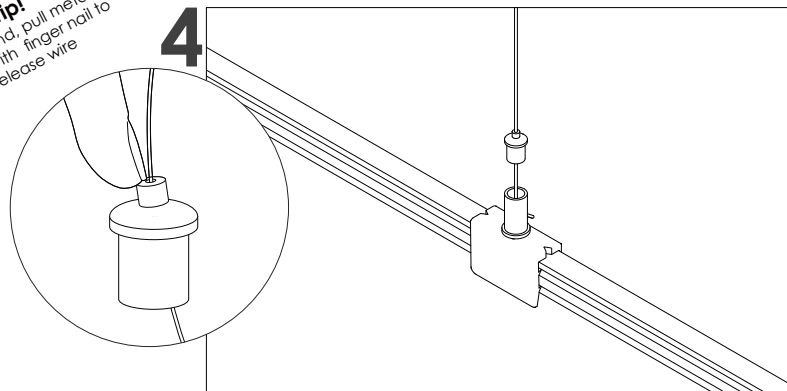
Hanging Screen™ INSTALLATION GUIDE



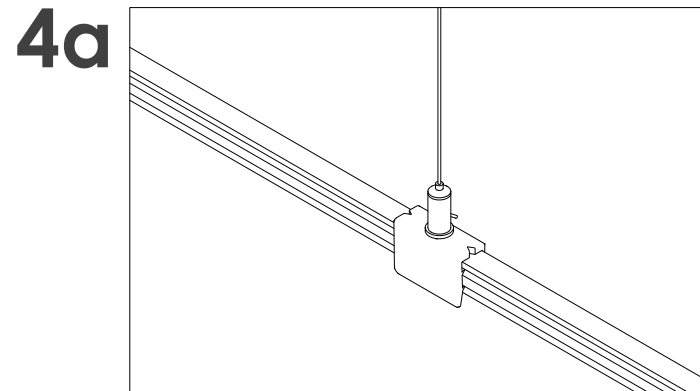
Slot Fin-lock into place, into the two positions shown in 3.A



Tip!
To extend, pull metal
gizmo with finger nail to
release wire



Thread wire a few inches through Adjustment 3. Insert wire through adjustment 4. Screw both adjustments till tight. Apply to both marked spots as seen in step 3.A



Hanging Screen™ INSTALLATION GUIDE

