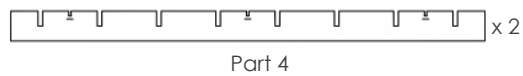
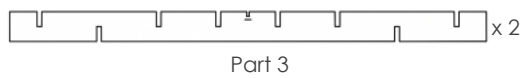
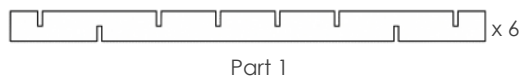
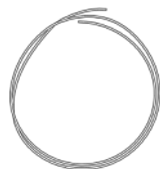


Matrix Baffles



Suspension kit

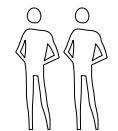
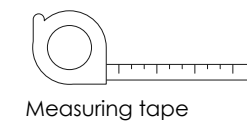
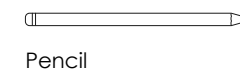
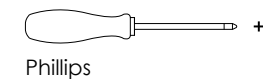


WIRE
1200 mm standard

Screws



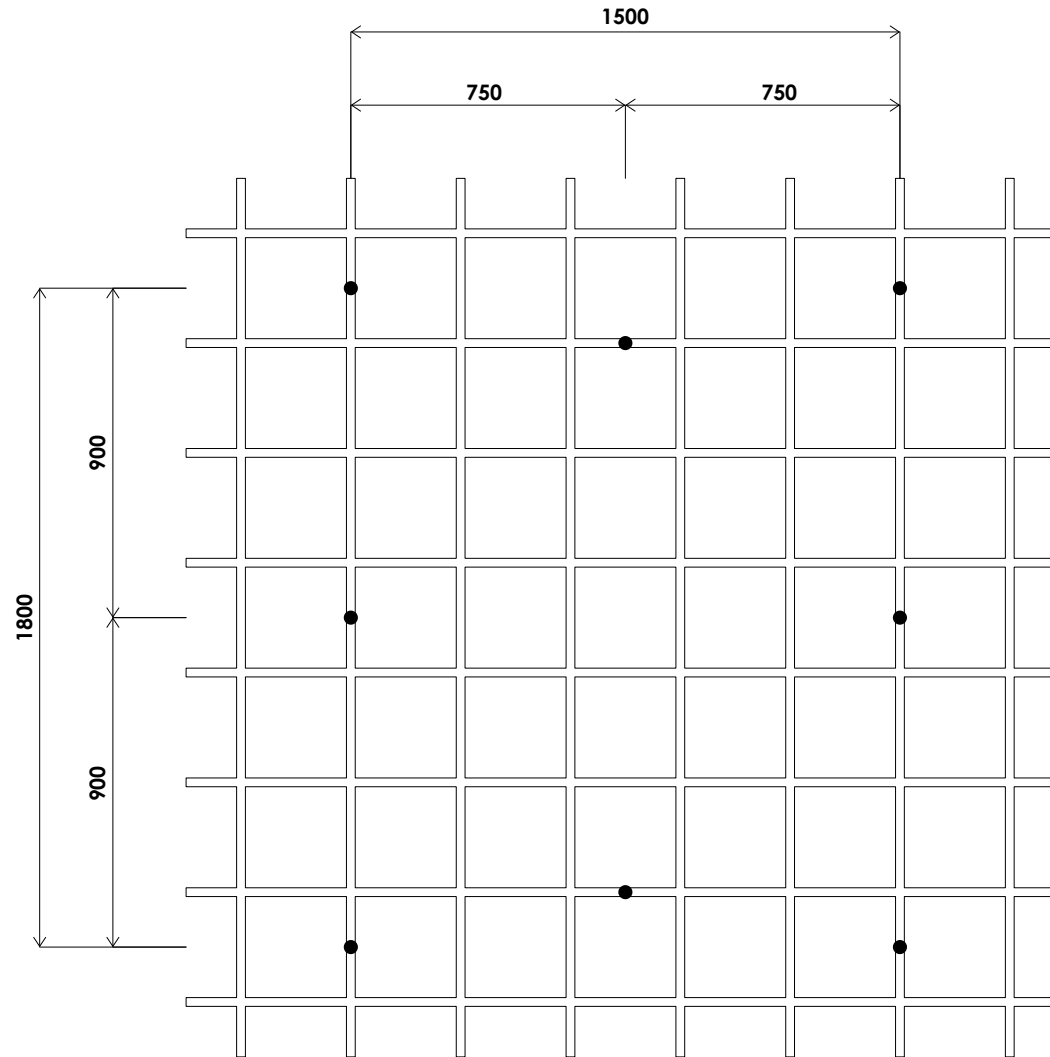
Not Included



2 x person
assembly

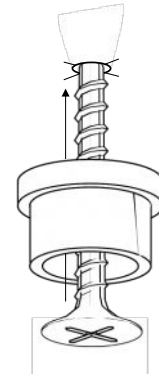


2 x ladder
recommended



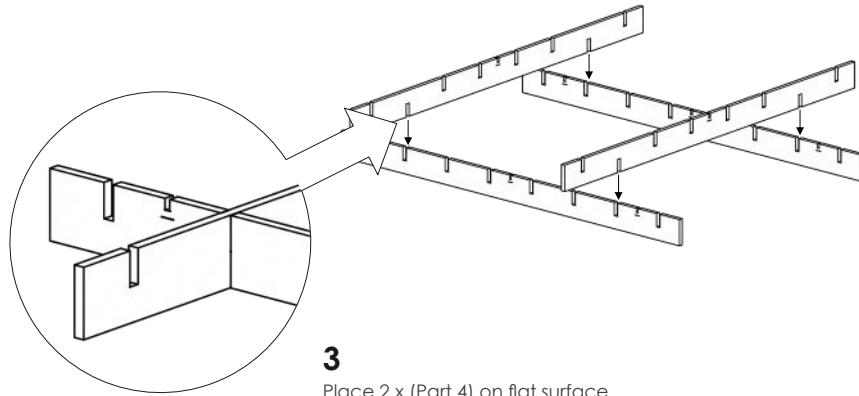


1
Using measurements from page 2, mark points on ceiling using appropriate tools

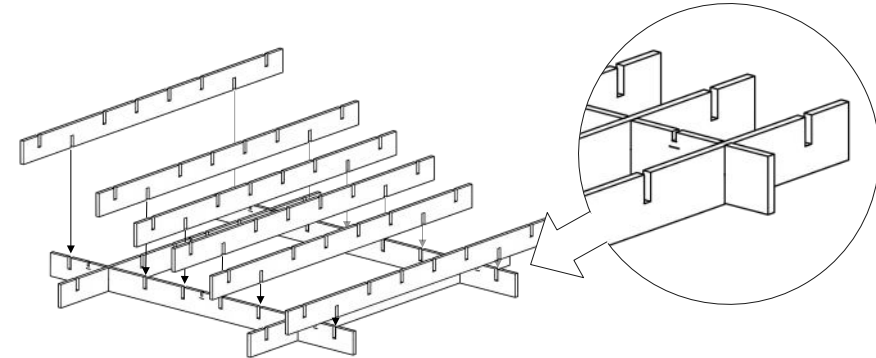


2
Insert screw into adjustment 1 and secure into ceiling using appropriate anchors depending on ceiling substrate

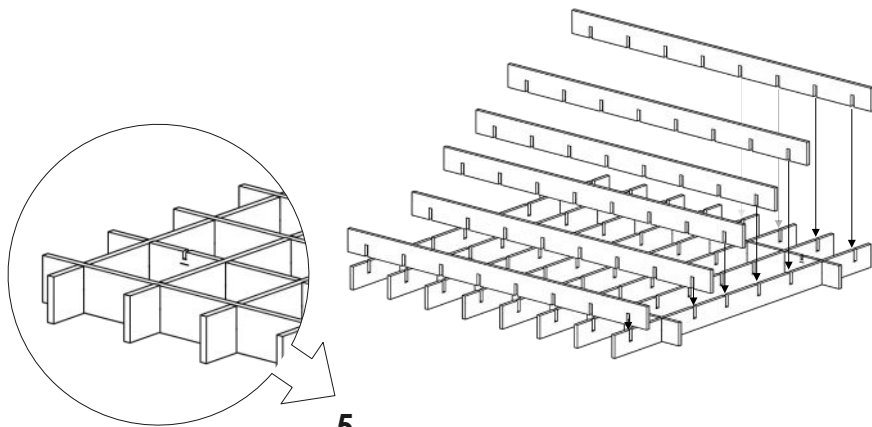
Assemble me
near place of
installation!



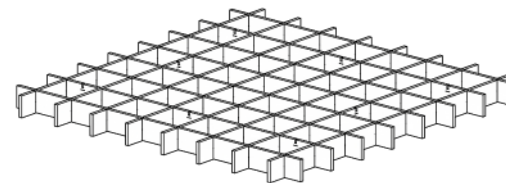
- 3**
Place 2 x (Part 4) on flat surface.
Align 2 x (Part 3) perpendicular to part 4.
Slide into all slots until flush.



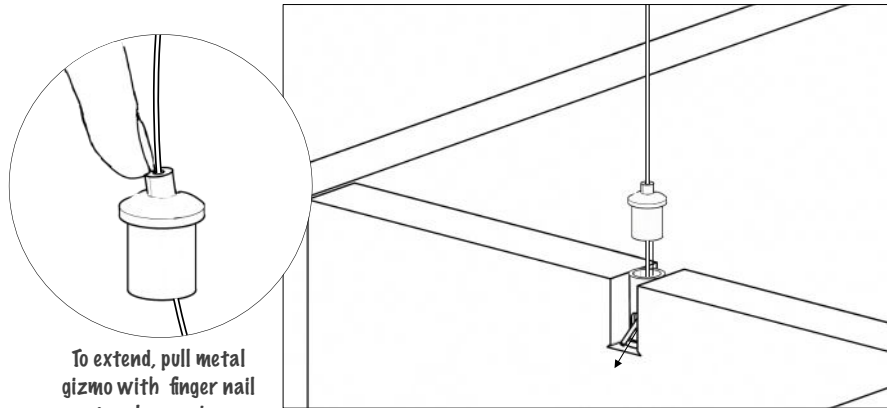
- 4**
Align 6 x (Part 1) parallel with Part 3.
Slide into all slots until flush.
When slotting in the fins, push down gently and evenly across length to avoid damage.



- 5**
Align 6 x (Part 2) parallel with part 4.
Slide into all slots until flush.



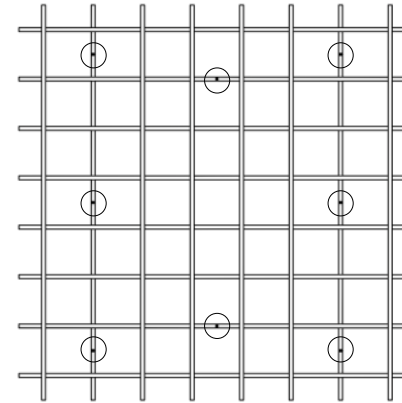
- 6**
Finished baffle without wire attachment



To extend, pull metal gizmo with finger nail to release wire

7

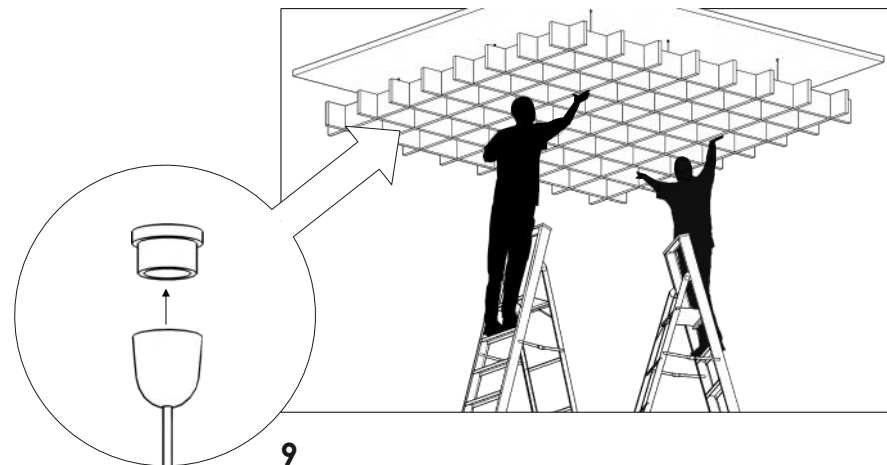
Thread wire a few inches through Adjustment 3, Insert wire through adjustment 4. Screw both adjustments till tight



8

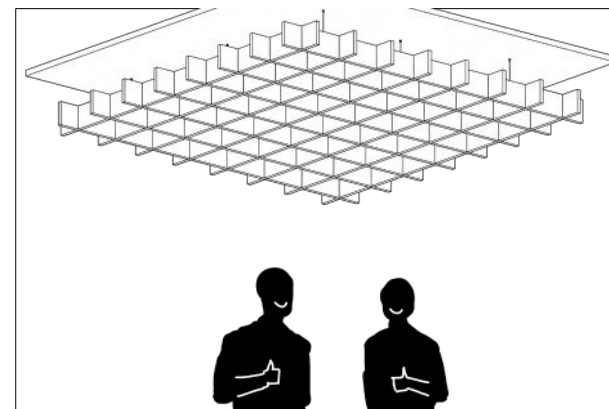
Apply to all 6 fitment spots. Adjust all wires to the desired length using accurate measuring

*Recommended distance from ceiling: 250mm



9

Using responsible safety measures, lift to designated spot using two or more people. Screw all 6 of adjustment 2 into all of adjustment 1 to the ceiling. Attach one side first, with the weight being supported on the opposite end



7

Adjust wire length as desired.